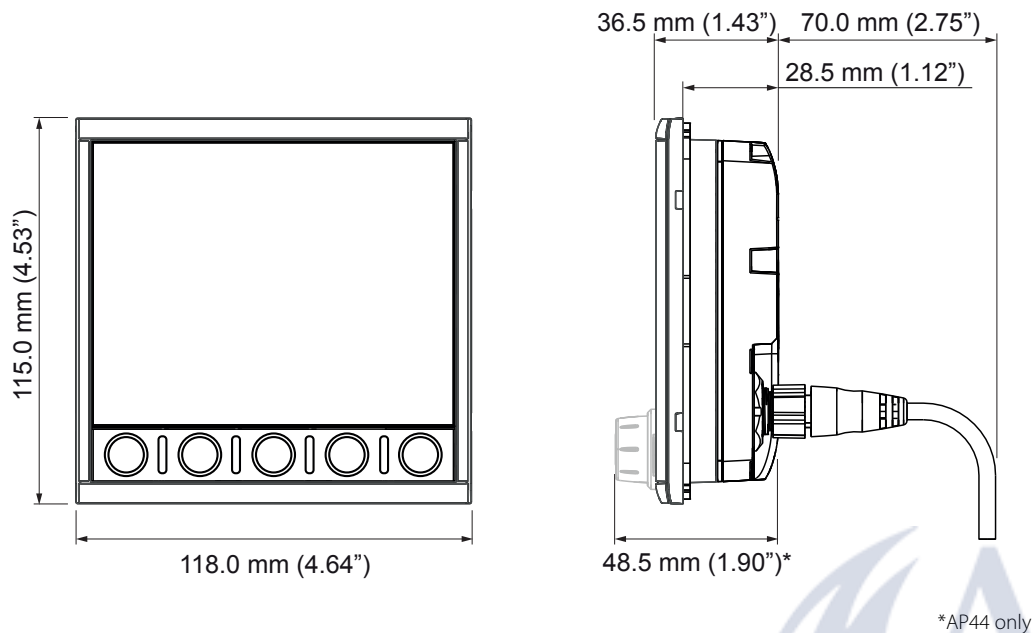


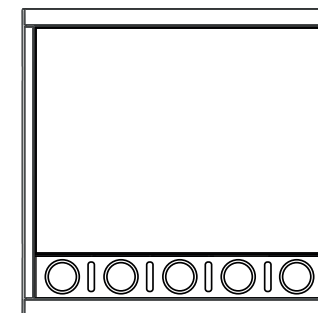
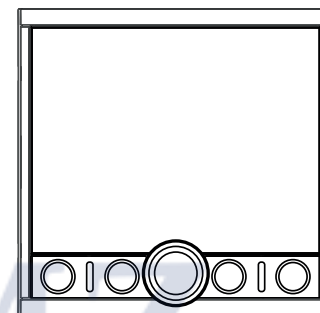
Dimensions



SIMRAD

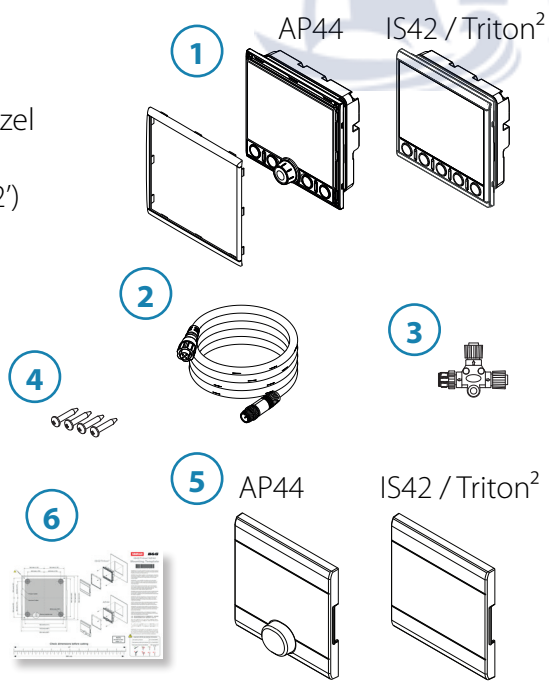
B&G

AP44 / IS42 / Triton² INSTALLATION GUIDE



Parts included

- 1 x Display unit + Removable bezel
- 1 x Micro-C Drop cable - 0.6 m (2')
- 1 x Micro-C T-Connector
- 4 x Mounting screws
- 1 x Suncover
- Mounting template
- Screw jig



For product manuals, technical specifications, certificates and declarations, refer to the product website:

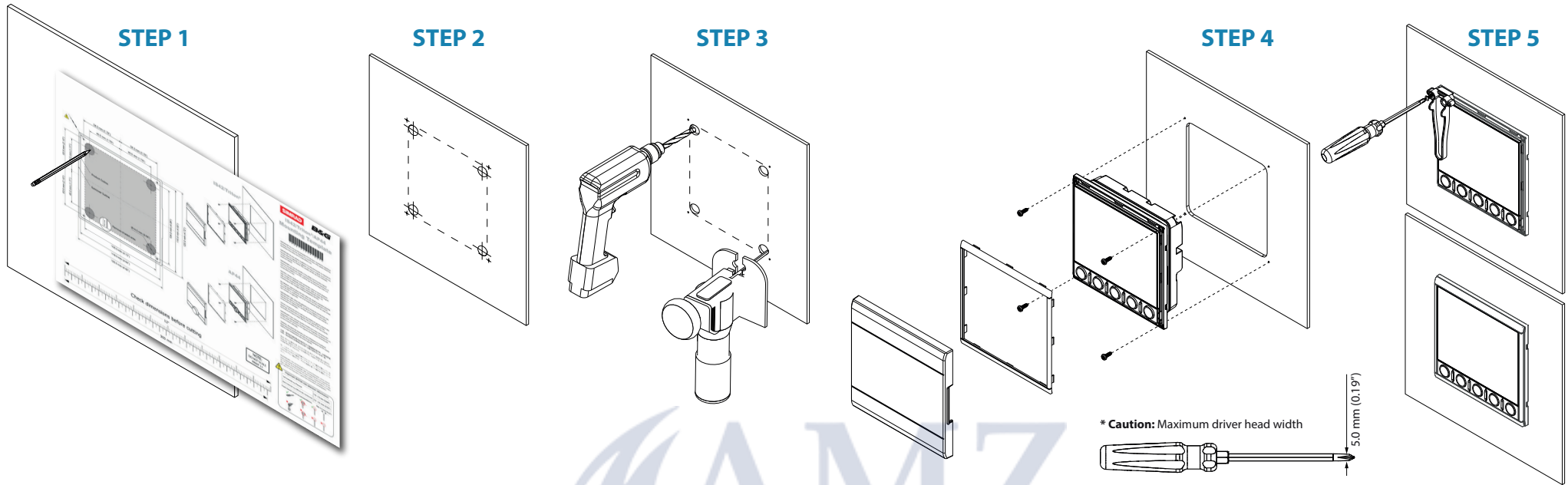
www.simrad-yachting.com

www.bandg.com



* 9 8 8 - 1 1 2 2 9 - 0 0 1 *

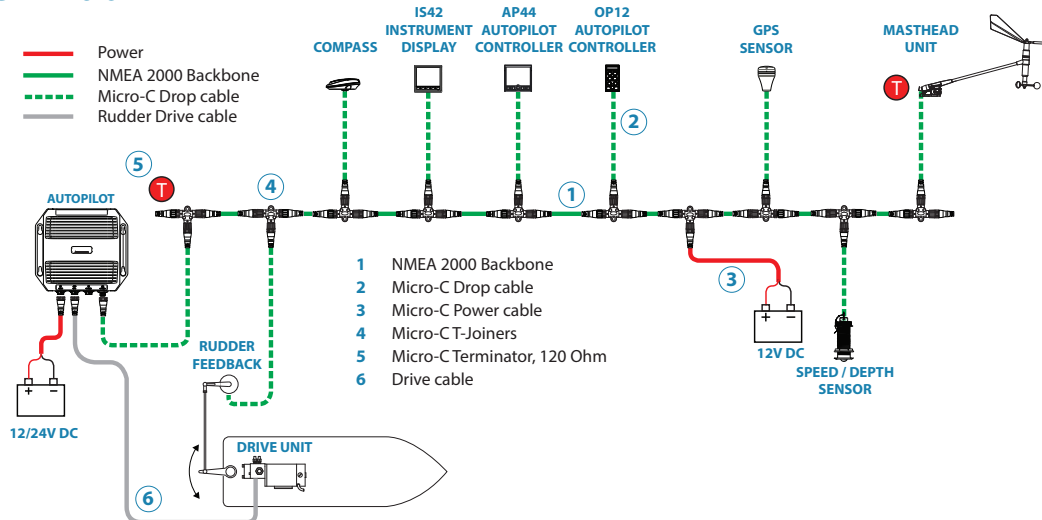
Mounting



System wiring example

Simrad

- Power
- NMEA 2000 Backbone
- - - Micro-C Drop cable
- Rudder Drive cable



B&G

- Power
- NMEA 2000 Backbone
- - - Micro-C Drop cable
- Rudder Drive cable

